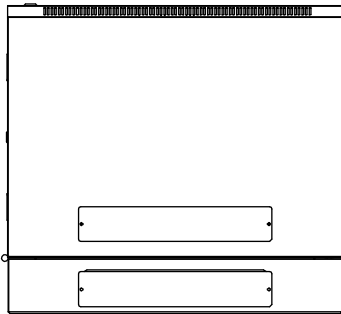
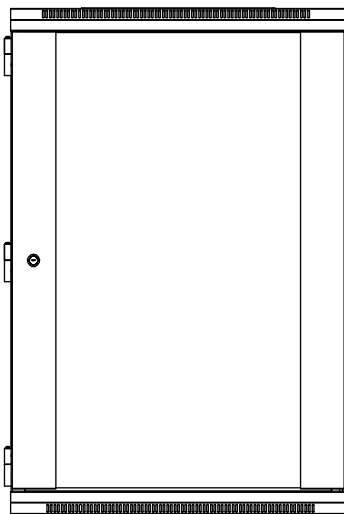


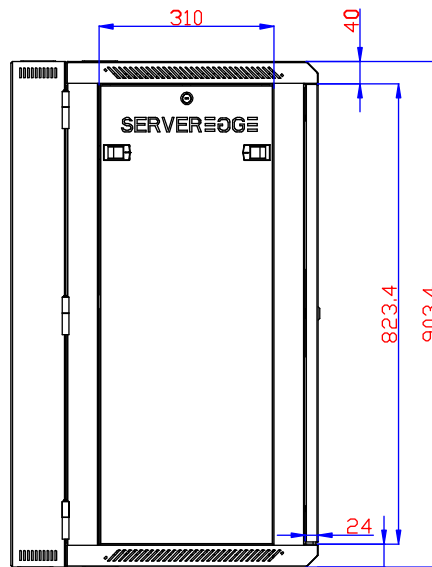
# SERVEREDGE



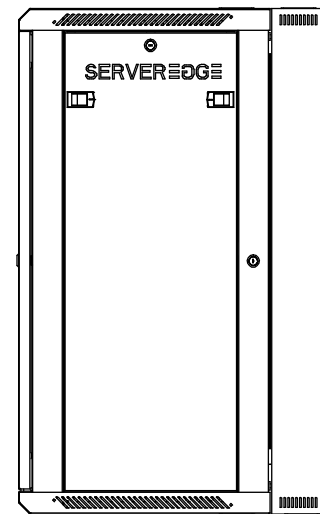
Bottom



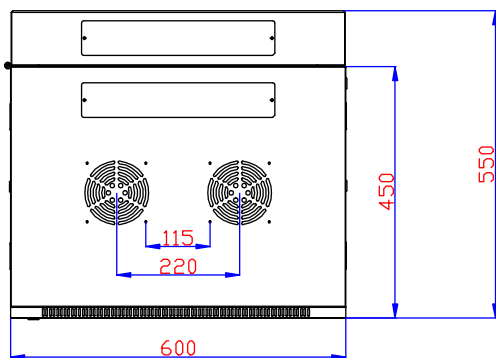
Front



Side



Side



Top

## Serveredge 18RU 600MM WIDE & 550MM DEEP FULLY ASSEMBLED SWING FRAME HINGED WALL MOUNT SERVER CABINET

SERVEREDGE PART NUMBER  
**CBN-18RU-66WM**

### Package Includes

- \* 1 x CBN-18RU-66WM Wall Mount Rack
- \* 20 x M6 screws
- \* 20 x M6 cage nuts
- \* 20 x M6 washers
- \* 2 x Fixed Shelves
- \* 2 x Keys
- \* 1 x Owner's manual

### Physical Specifications

Installed whole system maximum rack depth (mm) : 450.0  
 Rack Height : 18RU  
 Shipping Dimensions (WDH/mm) : 650 X 600 X 953.4  
 Shipping weight (kg) : 42.5  
 Unit Dimensions (WDH/mm) : 600 X 550 X 903.4  
 Unit weight (kg) : 38  
 Colour : Black  
 Weight Capacity - Stationary (kg) : 80  
 Grounding lug : Front and Back Door Frames