

Vigilance 2 Megapixel H.265 Outdoor Dome Camera

High-definition professional surveillance and security solution, suitable for small, medium, and large enterprises.

DCS-4612EK

- 1/2.8" 2 Megapixel progressive CMOS sensor
- Resolution of up to 1920 × 1080 at 30 fps
- H.265, H.264 and MJPEG codec support
- Wide Dynamic Range (WDR) image enhancement
- Supports 2D/3D noise reduction
- Motion detection, corridor mode, and privacy mask
- Fixed 2.8 mm lens with an F2.0 aperture
- Build-in IR LED illuminator with a 30 m range
- 10/100 Base-TX Fast Ethernet port with PoE (Power over Ethernet) ensures easy integration into your network
- IP66 compliant housing allows for installation in a wide range of climates, from -30 °C to 50 °C
- microSD card slot for local recording
- ONVIF Profile S compliant
- Equipped with night vision technology for increased light sensitivity
- Vandal-proof IK10-rated housing
- Supports D-Link's free D-ViewCam™ suite of management software



IP66 Compliant

Water-resistant and dust-tight housing with an operating temperature range of -30 to 50 °C



Night Vision

Optimized for increased image quality in low-light environments



30 Meter Illumination

See up to 30 meters in the dark with a built-in IR-cut filter and IR LED



Wide Dynamic Range

Improved image quality in high-contrast conditions with WDR



PoE Capable

Supports 802.3af PoE for flexible and simple installation



microSD Card¹

Equipped with a microSD card slot for local storage

Camera

- Camera Hardware Profile**
- 1/2.8" 2-megapixel progressive CMOS sensor
 - 30 meter IR illumination distance
 - Minimum illumination:
 - Color: 0.05 lux @(F2.0, AGC ON)
 - B/W: 0 lux @(IR LED ON)
 - Built-in Infrared-Cut Removable (ICR) Filter module
 - 18x digital zoom
 - Minimum object distance 0.5 m
 - Focal length: 2.8 mm
 - Aperture: F2.0
 - Angle of view:
 - (H) 102°
 - (V) 55°
 - (D) 126°
 - 3-axis adjustment angle (non-motorized):
 - Pan: 350°
 - Tilt: 15° - 90°
 - Rotate: 335°

- Camera Housing**
- IP66 certified weatherproof housing
 - Supports IK10 standard

- Image Features**
- Configurable image size, quality, frame rate, bit rate
 - Time stamp and text overlays
 - Configurable shutter speed, brightness, saturation, contrast, sharpness, 3D filter
 - Configurable motion detection area
 - Configurable privacy mask zones
 - Auto White Balance (AWB)
 - Auto Gain Control (AGC)
 - Wide Dynamic Range (WDR)
 - Corridor mode

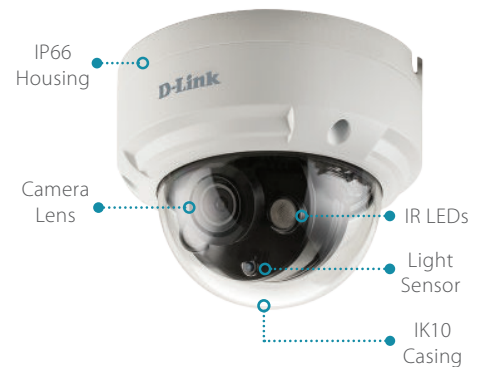
- Video Compression**
- Simultaneous H.265/H.264/MJPEG compression JPEG for still images

- Max. Video Resolution and Frame Rate**
- 1920 × 1080 at up to 30 fps

- External Device Interfaces**
- microSD card slot
 - Reset button
 - 10/100 Base-TX Fast Ethernet port (supports 802.3af PoE Class 3)

Network

- Network Protocols**
- IPv4
 - HTTP/HTTPS
 - RTSP/RTP/RTCP
 - TCP
 - UDP
 - DHCP
 - DNS
 - DDNS
 - NTP
 - FTP
 - SMTP Client
 - ONVIF Profile S compliant
 - ARP
 - ICMP
 - PPPoE
 - SNMP v1/v2c/v3



System Management

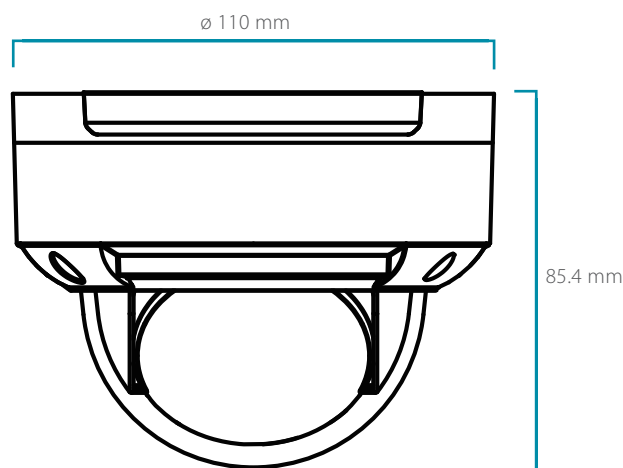
| | |
|---------------------------------------|---|
| Event Management | <ul style="list-style-type: none"> • Motion detection • Multiple event notifications • Event notification and uploading of snapshots via e-mail or FTP • Video recording via microSD card, D-ViewCam, D-Link NVR or ONVIF-compliant NAS |
| Remote Management | <ul style="list-style-type: none"> • Remote management via D-ViewCam software • Remotely take snapshots/video clips and save to a local hard drive • Configuration interface accessible via a web browser |
| System Requirements for Web Interface | <ul style="list-style-type: none"> • Operating System: Microsoft Windows • Browser: Internet Explorer 11 for full function; Chrome and Firefox (MJPEG only) |
| D-ViewCam System Requirements | <ul style="list-style-type: none"> • Operating System: Windows 10 • Protocol: Standard TCP/IP |
| D-ViewCam Software Functions | <ul style="list-style-type: none"> • Supports all management functions provided in the web interface • Scheduled motion trigger or manual recording options • Viewing of up to 64 cameras on one screen • Remote management of up to 64 cameras |

General

| | |
|----------------------------|--|
| Weight | • 470 g ± 5% |
| External Power Adapter | <ul style="list-style-type: none"> • 100 to 240 V AC, 50/60 Hz (Input), • 12 V DC 1.5 A (Output) |
| Power Consumption | • 5 W ± 5% (PoE) |
| Operating Temperature | • -30 to 50 °C (-22 to 122 °F) |
| Storage Temperature | • -20 to 70° C (-4 to 158 °F) |
| Operating/Storage Humidity | • Max. 90% non-condensing |
| Dimensions | • ø 110mm x 85.4 mm (ø 4.3 in x 3.4 in) |
| Certifications | • CE, FCC, RCM |

Order Information

| | |
|------------|---|
| DCS-4612EK | Vigilance 2 Megapixel H.265 Outdoor Dome Camera |
|------------|---|



¹ microSD card not included. Supports capacity up to 256 GB.

| Mounts | | | |
|------------------------|---|--|---|
| Model Name | Pole-Mount Bracket | Wall-Mount Bracket | Junction Box |
| Model Number | DCS-37-4 | DCS-37-5 | DCS-37-6 |
| Product Image |  |  |  |
| Dimensions (L x W x H) | L121 x W52 x H120 mm | L183 x ø120 x H84 mm | ø121 x H46 mm |
| Weight | 470 g | 350 g | 420 g |
| Maximum Load | 3 kg | 3 kg | 3 kg |
| Material | Metal | Metal | Metal |

Note: The DCS-37-4 must be used in conjunction with the DCS-37-5 or the DCS-37-6 to properly mount the DCS-4612EK camera.

