

2USB to PoE Power Injector

Features

- Remotely Power 24VDC and 48VDC Passive PoE Equipment thru CAT5 Cable from Two USB Power Sources.
- A Must for Every Wireless Tech Tool Kit!
- Up to 12W Passive 24VDC or 48VDC PoE Output Power
- Short Circuit, Over Current and Over Voltage Protection
- 10/100Mb Compatible

Applications

- Troubleshooting Passive PoE Wireless Systems
- Wireless Access Points and Client Devices
- IP Phone and Security Camera Systems



Description

The TP-DCDC-2USB-xx Passive Power over Ethernet Power Source offered by Tycon Power® are unique 24VDC and 48VDC Passive PoE injectors powered by USB. They work by supplying up to 12W power to the remote device on the 4 unused Ethernet pins 4,5(+) and 7,8(-). The Ethernet spec supports distances up to 100m (328 feet).

The TP-DCDC-2USB-xx have two USB port cables that take advantage of combining the power from two standard USB ports to provide an output power of up to 12W. They have various protections for short circuit, overload and overvoltage.

This USB powered PoE injector is a must for any technician's toolbox because it allows powering of Ubiquiti and Mikrotik as well as other 24VDC Passive PoE products from a laptop's USB port. The 48VDC passive PoE model is perfect for powering IP Phones, Cameras and other devices that use 48VDC PoE. This allows the technician to quickly test the device by direct connection to his laptop, saving him a lot of time. The TP-DCDC-2USB-xx can also be used in customer premise equipment to power external wireless gear from a customer's computer USB ports, reducing wiring clutter at the PC and allowing the wireless gear to be powered down when the computer is powered down to conserve energy.

Device Pinouts

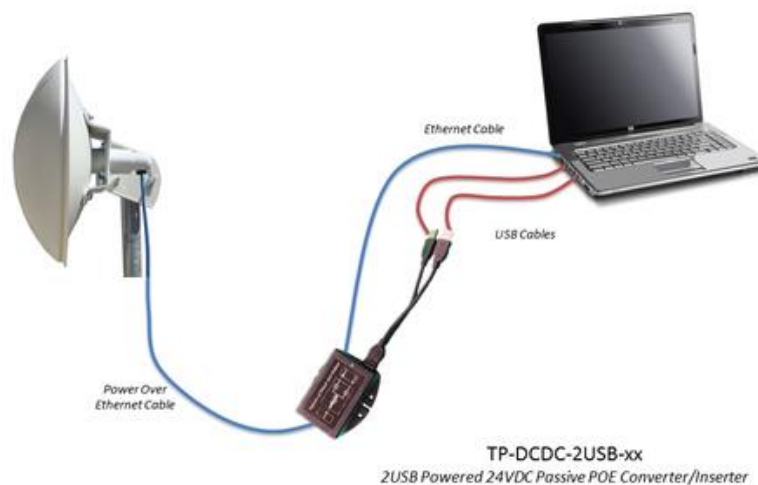
RJ-45 Input (Data Only)			RJ-45 Output (Data & Power)	
Pin	Symbol	Description	Symbol	Description
1	RX+	Data Receive(+)	RX+	Data Receive(+)
2	RX-	Data Receive(-)	RX-	Data Receive(-)
3	TX+	Data Transmit(+)	TX+	Data Transmit(+)
4	NC	No Connection	+Vdc	DC power(+)
5	NC	No Connection	+Vdc	DC power(+)
6	TX-	Data Transmit(-)	TX-	Data Transmit(-)
7	NC	No Connection	-Vdc	DC power(-)
8	NC	No Connection	-Vdc	DC power(-)

General Specifications

	TP-DCDC-2USB-24	TP-DCDC-2USB-48
USB Input	5VDC	5VDC
POE Voltage	24VDC @ 0.5A	48VDC @ 0.25A
Output Power	12W maximum	12W maximum
Efficiency (min)	72%	72%
Line / Load Regulation	1% / 5%	1% / 5%
Ripple / Noise	1% / 5%	1% / 5%
Cable Lengths	2USB 4"(100mm) , CAT5 20"(500mm)	2USB 4"(100mm) , CAT5 20"(500mm)
POE Compatibility	Passive PoE Pins 4,5(+), 7,8(-)	Passive PoE Pins 4,5(+), 7,8(-)
Data Compatibility	10/100M	10/100M
Protections	Over-Voltage, Short Circuit, Over-Current	Over-Voltage, Short Circuit, Over-Current
Environmental Standards	RoHs	RoHs
Operating Temperature	-30 to +50°C (-22 to +122°F)	-30 to +50°C (-22 to +122°F)
Operating Humidity (RH)	5% - 90%	5% - 90%
Storage Temperature	-40 to +80°C (-40 to +176°F)	-40 to +80°C (-40 to +176°F)
Dimensions	85 x 76 x 36mm (3.4 x 3 x 1.4")	85 x 76 x 36mm (3.4 x 3 x 1.4")
Weight	134g (4.7oz)	134g (4.7oz)

Notes:

- All shipments F.O.B. Bluffdale, UT 84065
- Tycon Power®, Power Sources carry a 3 year warranty

**System Ordering:**

TP-DCDC-2USB-24 24VDC 12W

2USB to Passive PoE Power Source

TP-DCDC-2USB-48 48VDC 12W

2USB to Passive PoE Power Source

For further information contact:

Tyconsystems.com

