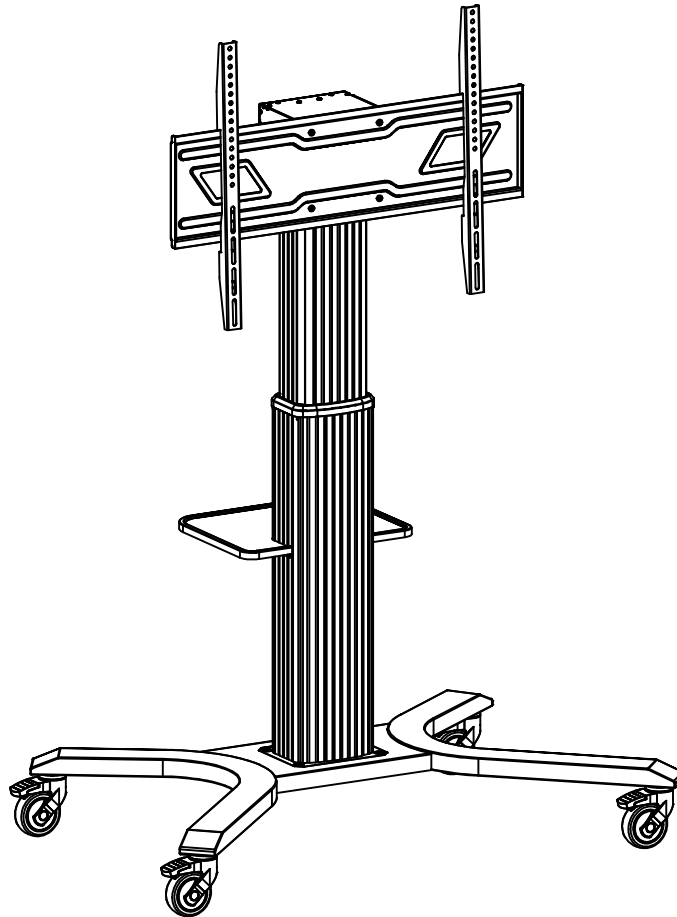


# commBOX Cadence Installation Manual



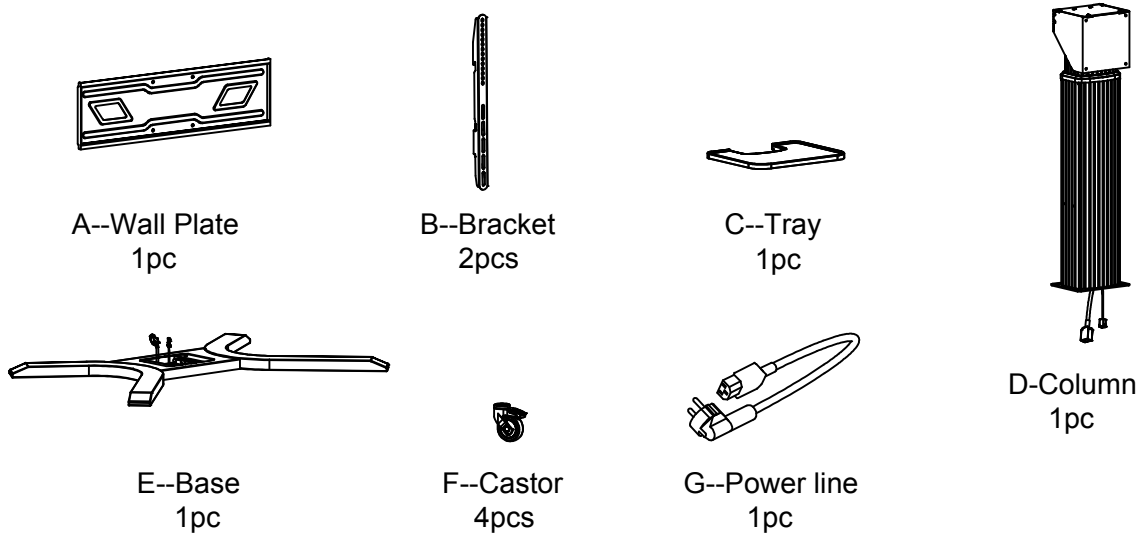
Rev 2

SKU: CBMOBC

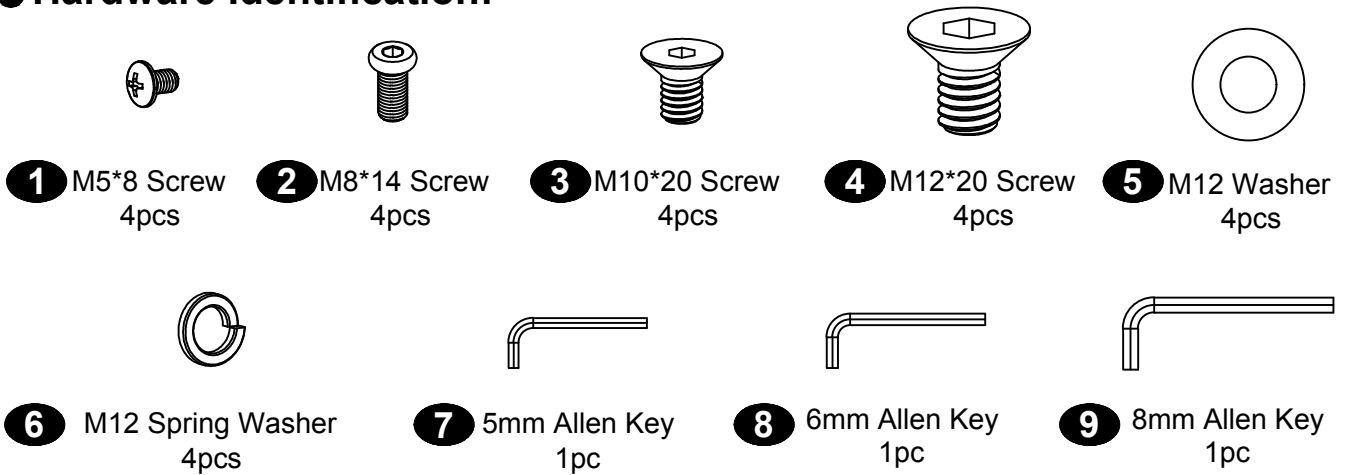
Suitable for 43" to 86" Screens

Load capacity 90Kg

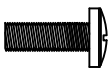


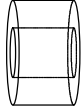
● **Parts Identification:**


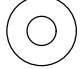



● **Hardware Identification:**



● **Hardware for TV assembly:**

			
a--M4X12 bolt 4 pcs	b--M6X25 bolt 4 pcs	c--M8X35 bolt 4 pcs	d--10mm spacer 4 pcs

		
e--2.5mm spacer 8 pcs	f--M4 washer 4 pcs	g--M6 washer 4 pcs

Step 1: Make the Castor part(F) install to the base part(E), as Figure 1

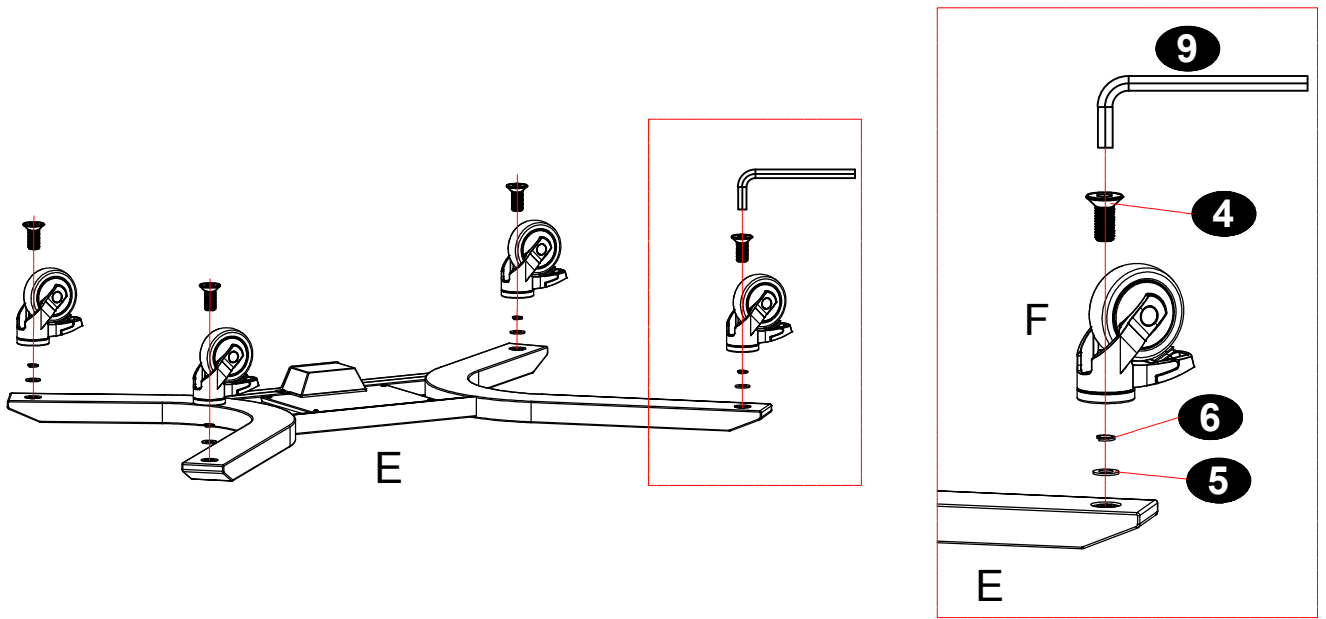


Figure 1

Step 2: Assemble column(D) to the base(E). Use column(D) female plug to connect base(E) male plug correctly, and the hole position on the column corresponds to the base hole position, and then fixed with (3)(7).as Figure 2

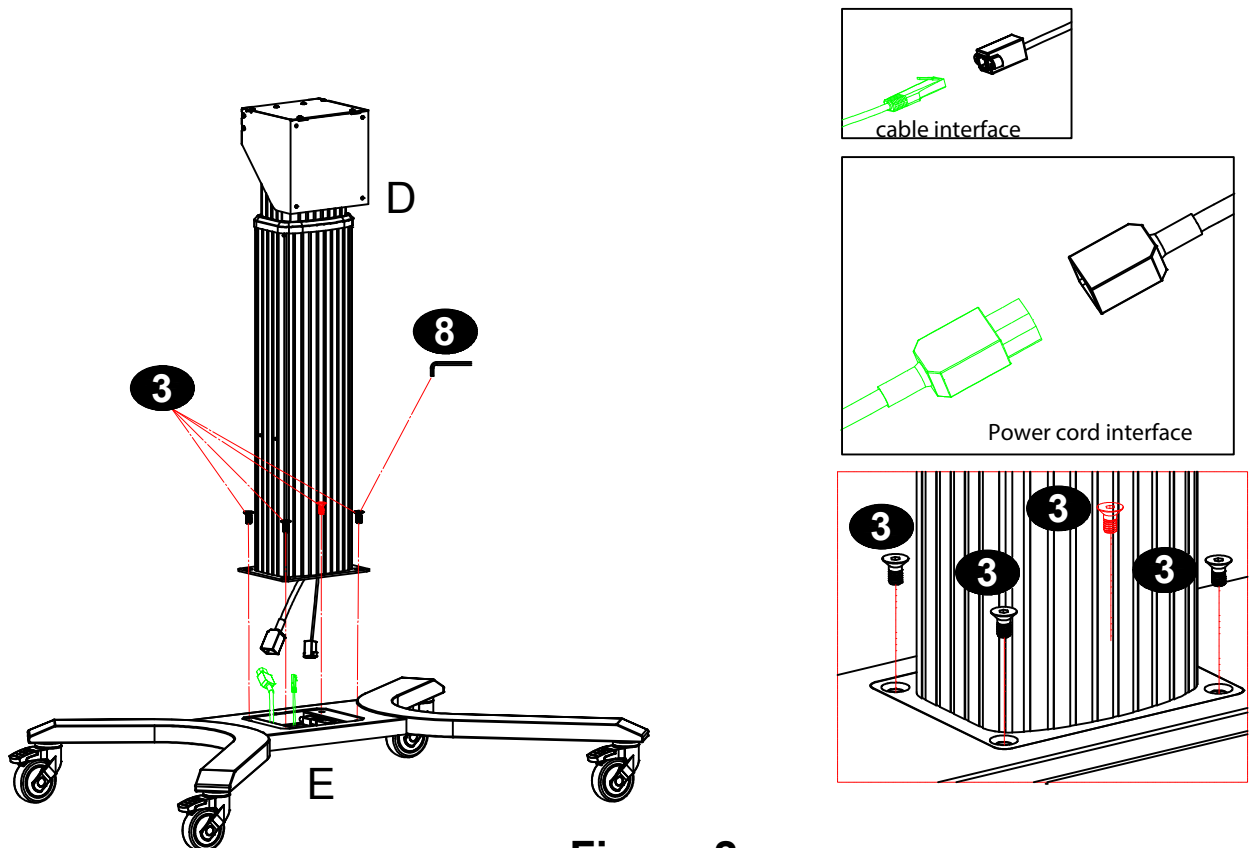
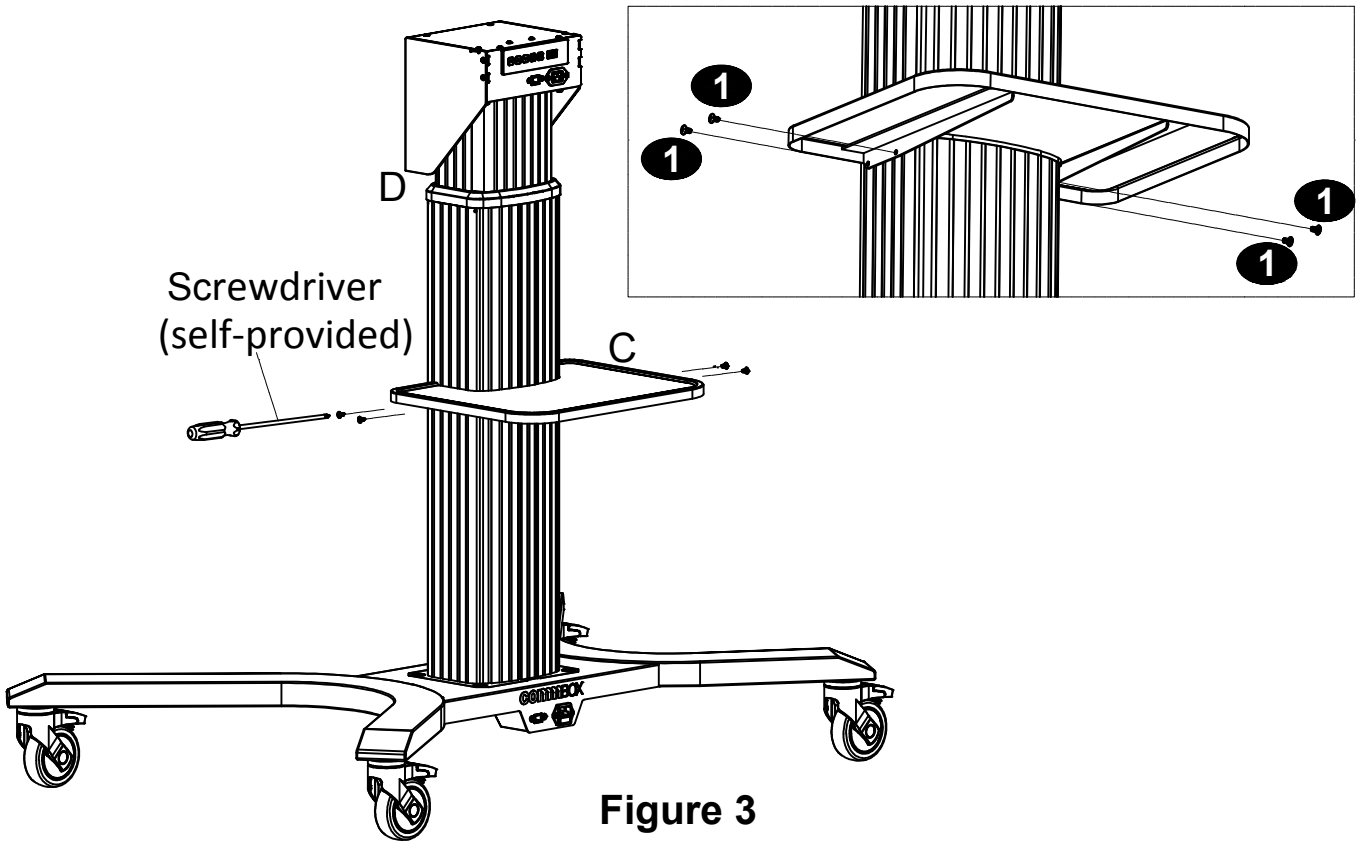
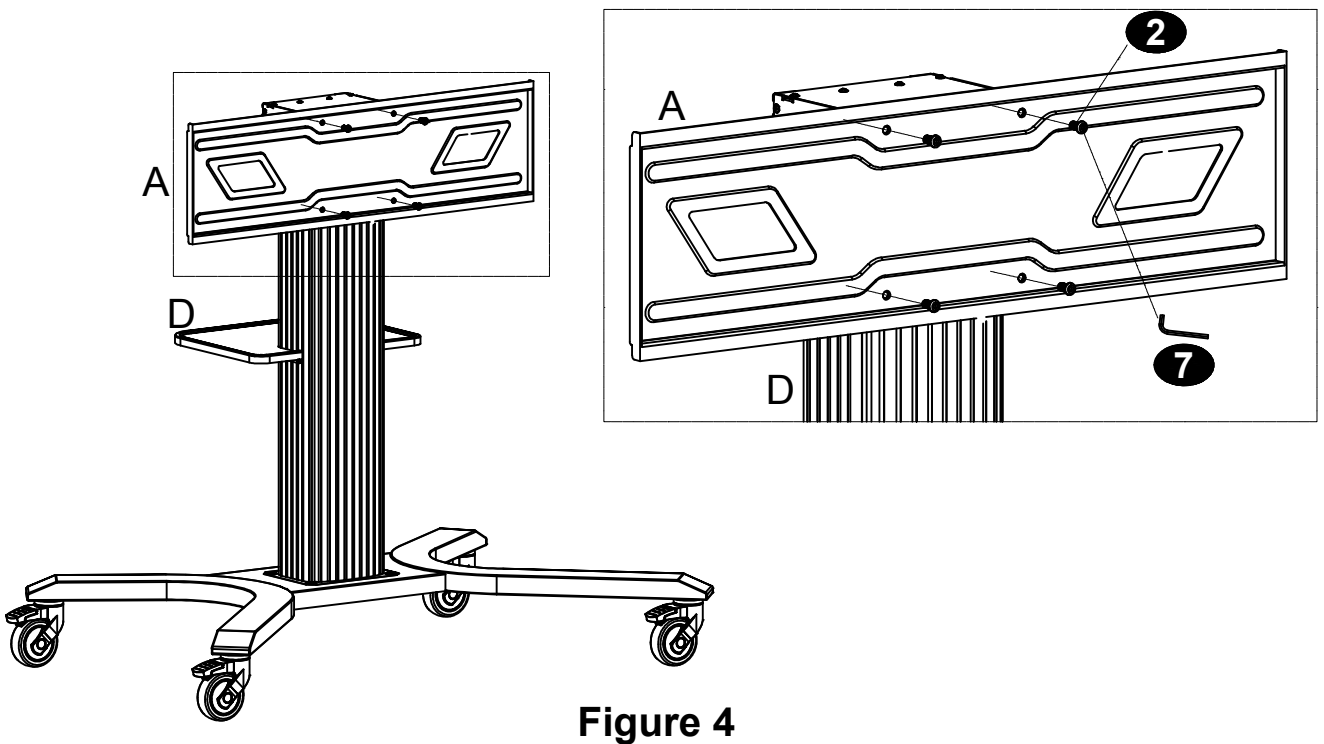


Figure 2

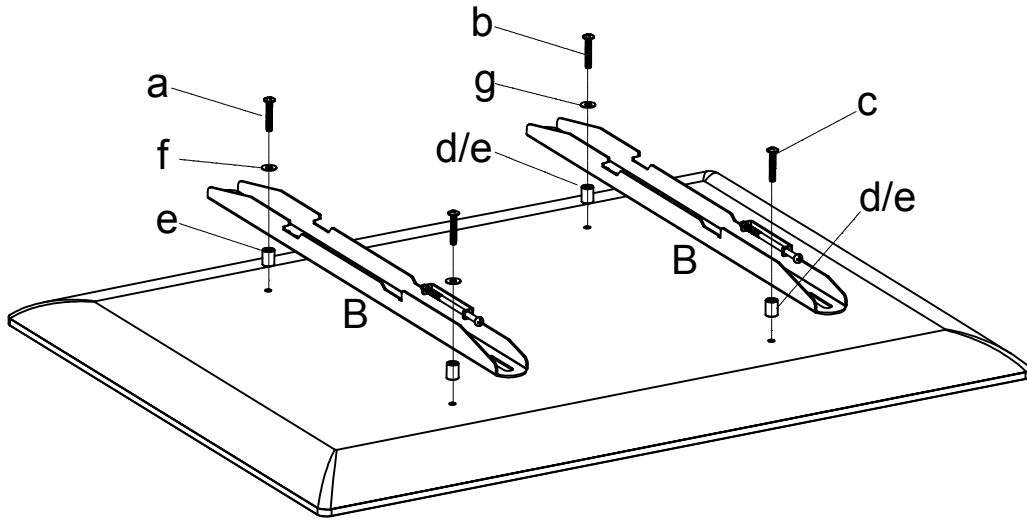
**Step3:** Assemble tray (C) to column (D), as Figure 3



**Step 4:** Assemble wall plate(A) to column (D), as Figure 4



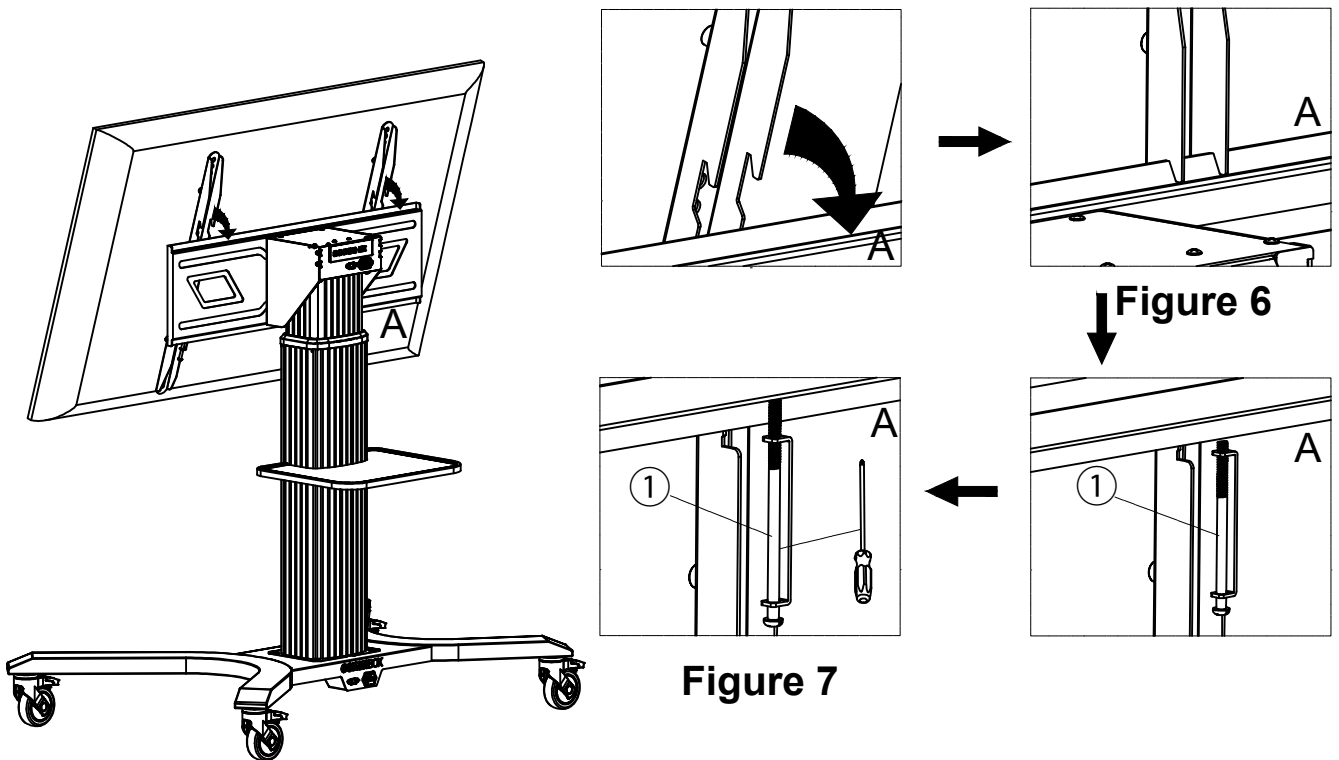
**Step 5:** Assemble bracket to TV with suitable bolts, washers and spacers.



**Figure 5**

**Step 6:** Hang the TV on the wall plate (A)

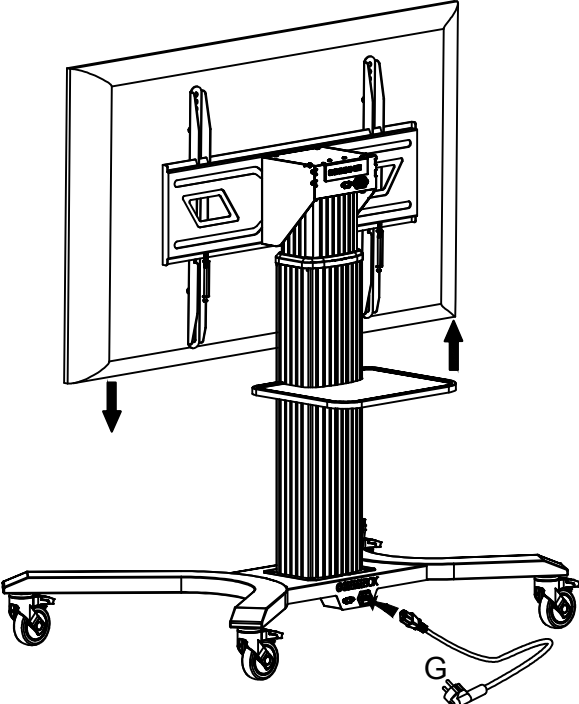
- 1) Lean the upper hook of bracket against wall plate (A).
- 2) Make sure the hook is securely hung on wall plate (A), as Figure 6.
- 3) The lower end of bracket close to wall plate (A).
- 4) Lock the safety screw with screwdriver as Figure 7.



**Figure 6**

**Figure 7**

**Function test:** Plug in the power line (G) into the bottom of the socket, then turn on the power and test the function key to ensure normal rise and fall.



Plug in

Press the button to rise

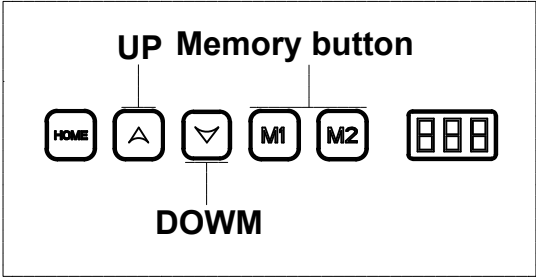
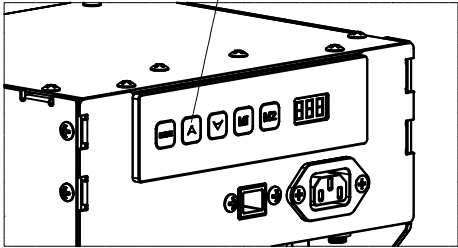
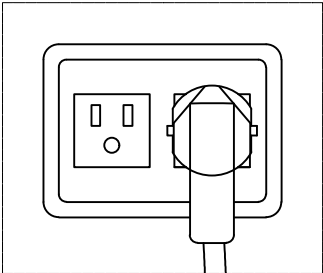


Figure 8

# Product dimensions:

