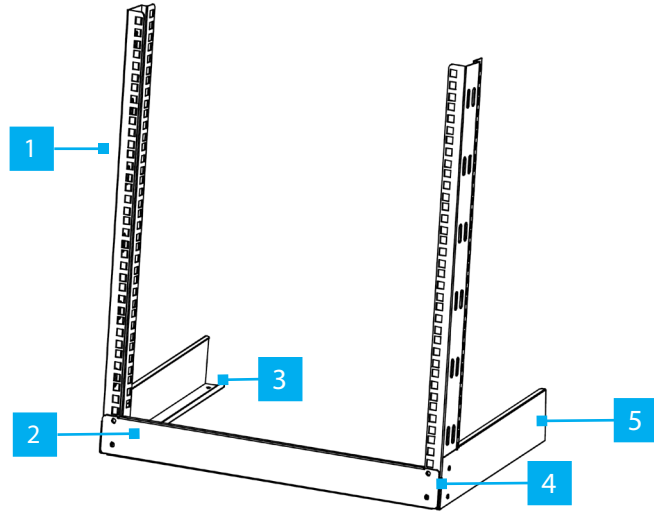


12U 19in Open Frame 2-Post Desktop Rack

Product Diagram (RK12OD2)



*Product may vary from image

Component	Function
1 Vertical Rails	• Feature Square Cage Nut Holes to mount your equipment
2 Front Base Bracket	• Stabilizes the frame and adds rigidity
3 Rubber Feet Holes	• Insert the Rubber Feet to protect the surface
4 Assembly Holes	• Used to connect the Vertical Rails, Front Base Bracket, and Base Brackets together
5 Base Brackets	• Stabilizes the frame and adds rigidity

Package Contents

- Left Base Bracket x 1
- Right Base Bracket x 1
- Front Base Bracket x 1
- Left Vertical Rail x 1
- Right Vertical Rail x 1
- M5x12 mm Assembly Screws x 8
- M6x12 Screws x 48
- M6 Cage Nuts x 48
- M6 Plastic Washers x 48
- Rubber Feet x 4
- Quick-Start Guide x 1

Requirements

For the latest manuals, product information, technical specifications, and declarations of conformance, please visit: www.startech.com/RK12OD2

- Phillips head screwdriver
- Cage nut tool (Optional)

Warnings!

Read the entire quick-start guide and ensure the instructions are fully understood before assembling and/or using this product.

Before adding equipment to this prouct, ensure this product has been properly assembled.

Never operate this product if parts are missing or damaged.

Ensure the weight of the equipment does not exceed the weight capacity of this product. If the weight capacity is exceeded, personal injury or damage to the equipment are possibilities. This product can support the following weight: 110 lb (50 kg).

This product poses a tipping risk.

The desk or table should be capable of supporting at least two times the weight of the mounted equipment.

Arrange your equipment in the rack in descending order of weight starting from the top. The lightest device is installed at the top of the rack and the heaviest device is on the bottom of the rack

Installation

Assemble the Rack

1. **Push** from the **Top** to **Unlatch** the **Pins** (x 4) from the center of the **Rubber Feet** (x 4).
2. Push the **Rubber Feet** (x 4) into the **Rubber Feet Holes** (x 4) on the underside of the **Left Base Bracket** and **Right Base Bracket**. Next, **Push** from the **Bottom** to **Latch** the **Pins** (x 4) back into the center of the **Rubber Feet**.
3. Align the **Assembly Holes** (x 2) on the side of the **Left Base Bracket** with the **Assembly Holes** (x 2) on the side of the **Left Vertical Rail**. (Figure 1)

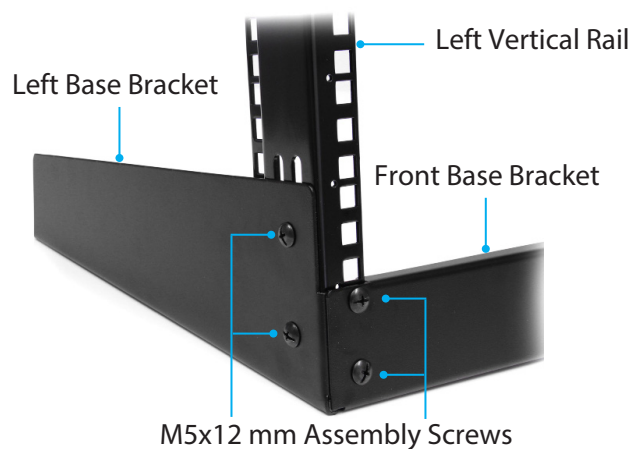


Figure 1

4. Insert the **M5x12 mm Assembly Screws** (x 2) through the **Left Base Bracket** and into the **Left Vertical Rail**. Tighten the **Assembly Screws** (x 2) using a **Phillips Head Screwdriver**.
5. Repeat **Steps 3** and **4** with the **Right Base Bracket** and the **Right Vertical Rail**.
6. Align the **Assembly Holes** (x 2) on the **Front Base Bracket** with the **Assembly Holes**

Regulatory Compliance

Use of Trademarks, Registered Trademarks, and other Protected Names and Symbols

This manual may make reference to trademarks, registered trademarks, and other protected names and/or symbols of third-party companies not related in any way to StarTech.com. Where they occur these references are for illustrative purposes only and do not represent an endorsement of a product or service by StarTech.com, or an endorsement of the product(s) to which this manual applies by the third-party company in question. StarTech.com hereby acknowledges that all trademarks, registered trademarks, service marks, and other protected names and/or symbols contained in this manual and related documents are the property of their respective holders.

PHILLIPS® is a registered trademark of Phillips Screw Company in the United States or other countries.

Warranty Information

This product is backed by a lifetime warranty.

For further information on product warranty terms and conditions, please refer to www.startech.com/warranty.

Limitation of Liability

In no event shall the liability of StarTech.com Ltd. and StarTech.com USA LLP (or their officers, directors, employees or agents) for any damages (whether direct or indirect, special, punitive, incidental, consequential, or otherwise), loss of profits, loss of business, or any pecuniary loss, arising out of or related to the use of the product exceed the actual price paid for the product. Some states do not allow the exclusion or limitation of incidental or consequential damages. If such laws apply, the limitations or exclusions contained in this statement may not apply to you.

on the front of the **Left Base Bracket**.

7. Insert the **M5x12 mm Assembly Screws** (x 2) through the **Front Base Bracket** and into the **Left Base Bracket**. Tighten the **Assembly Screws** (x 2) using a **Phillips Head Screwdriver**.
8. Repeat **Steps 6** and **7** for the **Right Base Bracket**.

Operation

Arrange your equipment in the rack in descending order of weight. The lightest device is installed at the top of the rack and the heaviest device is on the bottom of the rack.

1. Install the **M6 Cage Nuts** onto the desired **Cage Nut Holes** where the **Equipment** will go. Use a **Cage Nut Tool** if available or your preferred installation method.
2. Use a **Phillips Head Screwdriver** to install the **M6x12 mm Screws** and secure the **Equipment** onto the rack.

Caution! Do not move the rack with the equipment mounted. If relocation of the rack is required, remove the equipment from the rack and relocate the empty rack. Mount the equipment back into the rack.

Safety Measures

- Read the entire manual and ensure the instructions are fully understood before assembling and/or using this product.

Mesures de sécurité

- Assemblez ce produit conformément aux instructions.

安全対策

- 必ず取扱説明書に従って本製品の組み立てを行って下さい。

Misure di sicurezza

- Assicurarsi di Assemblare il prodotto secondo le istruzioni.

Säkerhetsåtgärder

- Se till att du monterar produkten i enlighet med instruktionerna.

StarTech.com Ltd.
45 Artisans Crescent
London, Ontario
N5V 5E9
Canada

StarTech.com LLP
4490 South Hamilton
Road
Groveport, Ohio
43125
U.S.A.

StarTech.com Ltd.
Unit B, Pinnacle 15
Gowerton Road
Brackmills,
Northampton
NN4 7BW
United Kingdom

StarTech.com Ltd.
Siriusdreef 17-27
2132 WT Hoofddorp
The Netherlands

FR: startech.com/fr
DE: startech.com/de
ES: startech.com/es
NL: startech.com/nl
IT: startech.com/it
JP: startech.com/jp